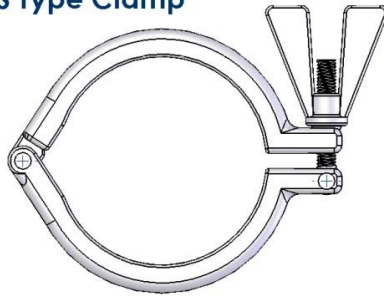
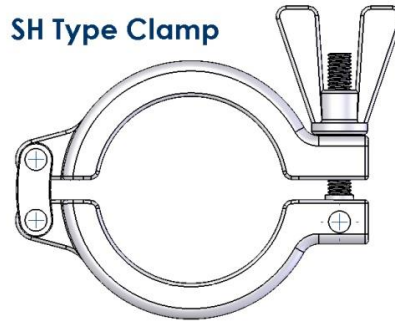


PHARMACEUTICAL CLAMPS PRESSURE RATINGS

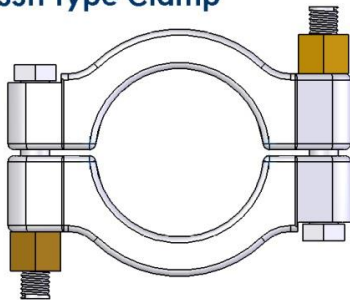
S Type Clamp



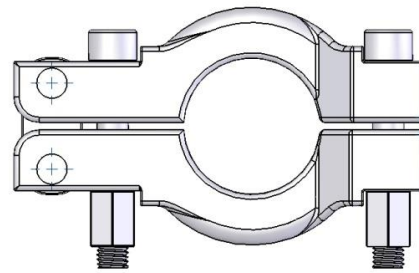
SH Type Clamp



SSH Type Clamp



ASME VIII Clamp



CLAMP SIZE		PRESSURE RATINGS (bar)							
Nominal Size	Metric Size	Max Working Pressure @ 150C				Max Test Pressure			
		S	SH	SSH	ASME VIII	S	SH	SSH	ASME VIII
1/2"-3/4"	-	25	50	75	-	50	100	150	-
-	DN 10-20	25	50	75	-	50	100	150	-
1"-1 1/2"	DN 25-40	25	50	75	167	50	100	150	835
2"	50	25	50	75	90	50	100	150	450
2 1/2"	-	25	50	75	-	50	100	150	-
3"	65	20	40	60	90	40	80	120	450
3 1/2"	80	20	40	60	-	40	80	120	-
4"	100	17	35	53	57	34	70	105	285
4 1/2"	-	15	30	45	-	30	60	90	-
5"	-	-	30	45	-	-	60	90	-
5 1/2"	125	-	30	45	-	-	60	90	-
6"	-	15	30	45	28	30	60	90	140
6 5/8"	150	-	25	38	22	-	50	75	110
8"	-	-	20	32	15	-	40	64	75
8 5/8"	200	-	20	30	12	-	40	60	60
10"	250	-	16	-	10	-	32	-	50
10 5/8"	-	-	16	-	-	-	32	-	-
12"	300	-	10	-	7	-	20	-	35
12 5/8"	-	-	10	-	-	-	20	-	-

ASME VIII Clamp pressure ratings are calculated under the strict guidelines as given by the ASME VIII Code and incorporate a safe working factor of 5.

Advanced Couplings Ltd

Riverside Business Park | Keighley | West Yorkshire | BD21 4AF | UK
 Tel: 0044 (0) 1535 669 216 | Fax: 0044 (0) 1535 610 243
 e-mail: sales@advanced-couplings.co.uk
 web: www.advanced-couplings.co.uk